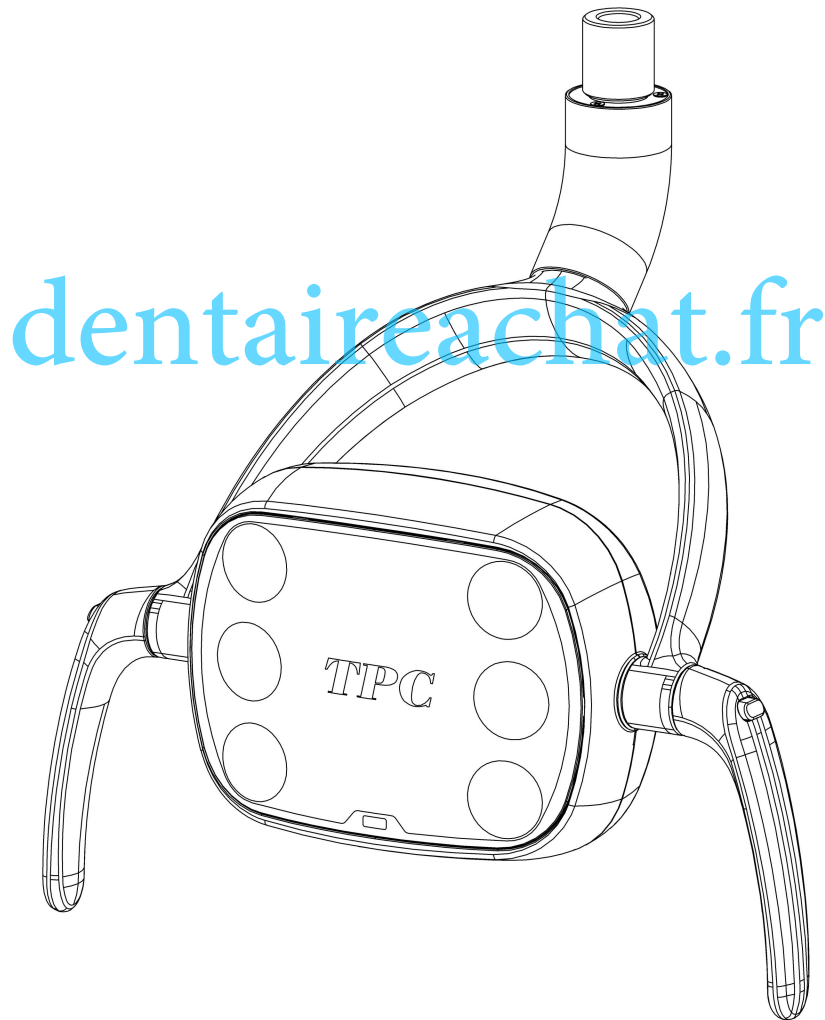


TPC

L570-LED Dental Operating Light Installation and Operation Manual



TPC
851 S. Lawson St
City Of Industry, CA 91748

English version 1.1

TPC

Table on Contents:

GENERAL INFORMATION

Installation

Overview

Operation instructions

Light head and vertical arm adjustment

Replacement Parts List

dentaireachat.fr

CLEANING & DISINFECTING GUIDE

Warranty

Maintenance

Recycling and disposal

TROUBLE SHOOTING GUIDE

Technical Assistance is available Monday through
Friday, 8:00 AM to 5:00 PM PST.

800 560 822

GENERAL INFORMATION

SYMBOLS



DANGER

The paragraphs marked with this symbol contain instructions which must be followed carefully to avoid damaging the device, the operator and the patient.



WARNINGS

These instructions warn the operator that it is mandatory to operate with utmost care to avoid situations which could damage the device.



RESTRICTION

This icon indicates the most appropriate behavior to avoid damaging the device.



RECOMMENDATIONS

This icon indicates useful details for an effective use of the device.



Dispose of the device according to the regulations on separate waste collection of electrical equipment. Directive WEEE 2012/19/EC



Class II device.



Danger warning symbol



Refer to the documentation enclosed..



Refer to the Manual



ADJUSTMENT SENSOR



SERIAL NUMBER



ITEM CODE



STERILISATION

SWITCH SYMBOLS



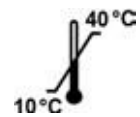
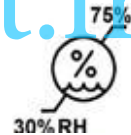
ON



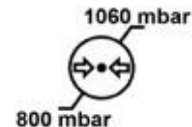
OFF

RELATIVE HUMIDITY

TEMPERATURE



ATMOSPHERIC PRESSURE



WARNING: No modification of this equipment is allowed

Specifications

Input Voltage : AC 24V Frequency: 50/60Hz

Power : <15VA Illumination: Adjustable from <8,000 to >30,000 lux acc. to ISO 9680

Lux Color Temperature: 5000K±10%

Package Contents

1. Light Arm
2. Power Supply
3. Light head (Separate Box)
4. Light head handles (Included In Light Head Box)
5. Manual

TPC

Installation

1. Install Light arm to light post. 1 11/16" Nylon light post bushing is required for a proper fit.



4. Secure light head to arm using the supplied M5 Allen screw.



2. Connect the light head bushing adaptor to the swivel stud on the light head.



5. Connect the main power 24VAC to the light arm wire harness.



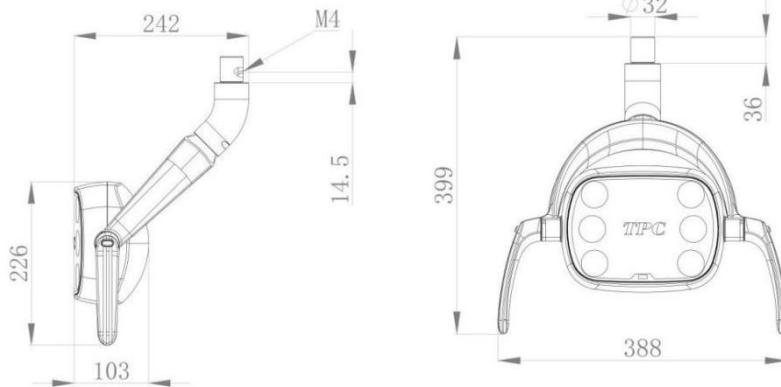
3. Connect the wire harness connector from the light arm to the light head.



6. ANYTHING TO ADD HERE GOES HERE!

TPC

Overview



Operation instructions

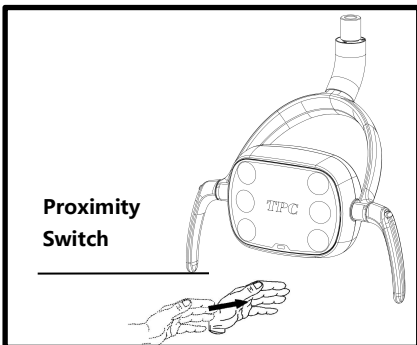
1 Operating the light via the proximity switch

L570-LED Dental Operating Light is developed to be operated via a proximity switch.

This method of operation optimally supports hygiene for all versions, especially in connection with sterile treatment work.

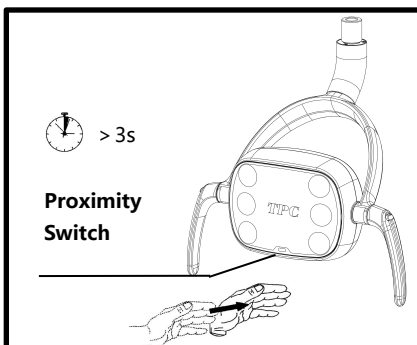
The switch is attached to the front of the L570-LED Dental Operating Light.

2 Turn on the dental operating light



- ✓ The operating light is switched OFF
- Move your hand past on the proximity switch.
- The L570-LED is turned ON.

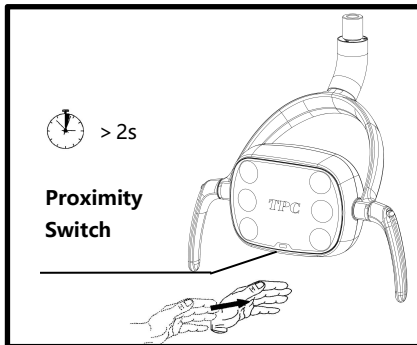
3 Brightness adjustment of White light



- ✓ The operating light is switched ON in the normal mode.
- 1. Hold your hand on the proximity switch for at least 3s.
- 2. The operating light switches OFF once indicates it entered the setting mode and then increases the brightness setting to the maximum level step by step. Then the operating light reduces the brightness step by step.
- 3. As soon as the desired brightness has been reached, pull your hand back from below the proximity switch. The current brightness setting is then saved for the normal mode. The light briefly flashes once again. This indicates that you have left the programming mode. The light switches to the normal mode.

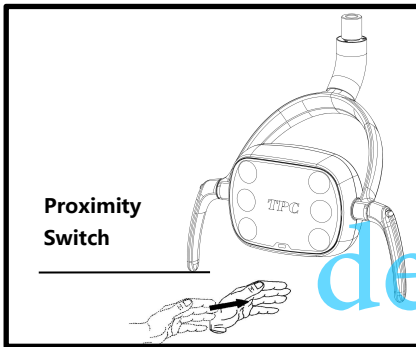
TPC

4 Switching the operating light to the composite function



- ✓ The operating light is switched off.
- 1. Move your hand pass the sensor-controlled switch in 2s.
The operating light switches to normal mode with white light.
- 2. Move your hand pass the sensor-controlled switch again after 2s,
The operating light switches to composite mode with yellow light.

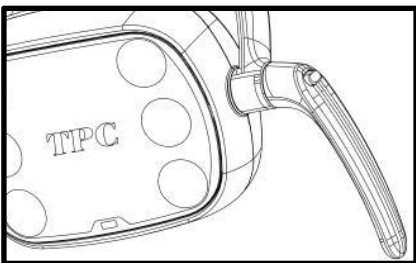
5 Turn off the dental operating light



- ✓ The operating light on Normal mode.
Move your hand past on the proximity switch.
→ The L570-LED is turned OFF.

dentaireachat.fr

6 Take off the handle for cleaning and put them back



1. To take off the handles
 - ✓ The light is Switched off
 - Push the button on the upper side of the handle and pull it off
2. To put the handles back
 - ✓ The light is Switched off
 - Push the handle back in the position WITHOUT push the button on the handle. You can feel and hear the click when the handle is snap in well.

TPC

Vertical Arm adjustment

If you experience a downward drift with your dental operating lights vertical arm please follow the procedure below.

- Remove the end cap cover on the end of the vertical arm closest to the light head. This requires a small Phillips screw driver.
- Turn the nut located at the end of the light arm to adjust the tension.
- Turn the nut clockwise to increase the tension. Turn the nut counter clockwise to decrease the tension.
- If your vertical light arm drifts down then you need to increase the tension.
- If the vertical light arm drifts back up you need to adjust the friction screw. Only adjust the friction screw in quarter turns.

Tension Nut

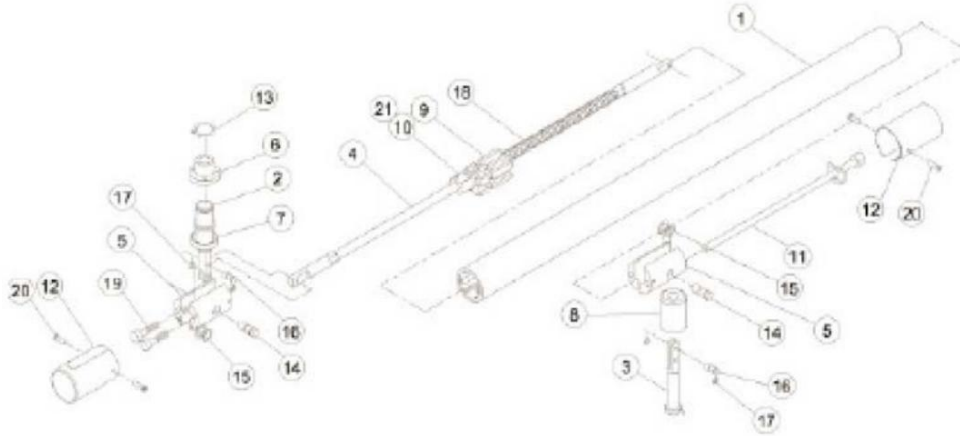


Friction Screw



TPC

Replacement Parts List



Item	Pad Number	Description
1	56021	Cover Rex Ami
2	56022	Kruckle, Rigi Ann
3	56023	Kruckle, Head
4	56024	Spling Rod
5	56025	Extension Support
6	56026	BuShing
7	56027	Bezel
8	56028	BuShing
9	56029	Block Spring Tensioner
10	56030	Flidiooo Block
11	56031	TensorlerRod
12	56032	End Cap Cover
13	56033	Retaiier Ring
14	56034	long Pin
15	56035	Retainer RingSmall
16	56036	Short Pin
17	56037	Retainer RingSmall
18	56038	Spling
19	56039	Screw Cap Head Socktet
20	56040	Screw, End Cap
21	56041	Friction Saew

dentaireachat.fr



Cleaning and disinfecting guide

*The Manufacturer makes no representation as to the disinfectant efficacy of these products. We make no warranty expressed or implied that these disinfectants will not damage the surface finishes. Damage and discoloration of the surface finishes are not covered under the warranty. Iodophor based disinfectants will cause yellow staining on many surfaces. Regular washing with soap and water will minimize this staining. Iodophor neutralizers such as Promedynne are also available.

<p>Unacceptable Disinfectants These disinfectants will harm the surface finishes of dental equipment and are not recommended. Use of these products will void your warranty. Chemical Composition / Trade Names Strong Phenols / Lysol, Lysol 2, Lysol Phenol Alcohol Professional, Coe Foam, Coe combinations Spray Pump, Vitaphene, Omni II Sodium Hypochlorite / Clorox, Ajax, Purex Household Bleach Alcohol Household Cleaners</p>	<p>Conditionally Acceptable Disinfectants These disinfectants have been found to be the least harmful to the equipment surfaces by our test methods. Chemical Composition Trade Names Iodophors Biocide, Aseptic IDC, Wescodyne, SD5, Promedynne, Iodo Five Mild Phenols Procide ES, Asepti Steryl Aerosol Glutaraldehyde / Sterall Spray, Coldspor Phenol Sprays Synergized Super Dis cide, Cavicide, Kleenaseptic Quat Phenol/Water Sprays Top Cide, Sporicidin Pump Spray Birex se</p>
---	--



Warranty Information

LED Dental Operating lights are guaranteed to be free from defects in workman- ship and materials for a 2 years from date of purchase, unless otherwise stated. TPC will repair or replace any defective “part” at no charge. TPC will not be responsible for labor charges or shipping charges to / from the TPC facility. This guarantee does not cover normal wear or stains on surface finish. The guarantee does not cover damage resulting from improper installation, misuse or accidents incurred in shipping and handling. All claims against the freight carrier must be initiated at the time the damaged items are received. The claim is the responsibility of the customer. We are improving our products on a continuous basis. We reserve the right to make modifications without the need for prior notification and are not obliged to modify previously manufactured items. Light bulbs are not covered under any type of warranty. Only authorized service technicians should attempt to service TPC equipment. Service performed by any unauthorized technician may result in a voided warranty.

Maintenance

Maintenance must be performed at scheduled intervals to ensure the operational and functional reliability of your product and to protect the safety and health of patients, users and other persons. The owner is responsible for making sure that all maintenance activities are performed.

As manufacturers of medical electrical equipment, we can assume responsibility for the safety properties of the unit only if maintenance and repairs on the unit are performed either by us or by agencies which we have expressly authorized and if components of the unit are replaced by original spare parts in case of failure.



Recycling and disposal

1 Recycling

Dispose of used equipment in accordance with the principles, standards and requirements of your country. Ensure that the equipment does not become contaminated during disposal.

2 Disposal of packaging materials

All packaging materials are selected according to environmental standards and can be recycled. Please send the old packaging materials to the relevant collection and reprocessing system.

dentaireachat.fr

Troubleshooting guide

Problem	Cause	Solution
Light does not illuminate	No power to light	Check power
	LED has expired	Replace LED
	Transformer is expired	Replace transformer
Light turns on and off then the light head is	Open in line power	check light head to ridge arm connector. Inspect arm wire.
Vertical arm drifts down	Tension needs to be increased in arm	tighten arm tension adjustment
Vertical arm drifts up	Friction arm adjustment loose	Tighten friction arm adjustment
Light drifts from left to right	Light post not level	Level unit / light post